



# Connectivity Solutions



Complete or Partial Part #,  
Competitor Part # or  
Keywords.

[Wireless](#)
[CATV](#)
[Audio & Video](#)
[Networking &  
Structured Wiring](#)
[Military & Aerospace](#)
[Test & Measurement](#)
[Home](#)
[Member Access](#)
[Products](#)
[Connectors](#)
[Microwave Components](#)
[CATV Components](#)
[Coaxial Cable Assemblies](#)
[Structured Cabling & Connectors](#)
[Tools & Accessories](#)
[Customer Service](#)
[Request For Quote](#)
[Representatives](#)
[Distributors](#)
[Literature/Catalog Request](#)
[What's New](#)
[About Our Brands](#)
[Legal Terms](#)

© 2007 All Rights Reserved

## Product Detail



<b>Product Line:</b>	<a href="#">Cambridge</a> (Click for customer service)
<b>Part Number:</b>	CP-AD803
<b>Description:</b>	N Right Angle Jack to Plug In-Series Adapter
<b>Product Family:</b>	In-Series Adapters
<b>Body Style:</b>	Right Angle
<b>Color / Finish:</b>	Nickel
<b>Connector A:</b>	Type N
<b>Connector B:</b>	Type N
<b>Frequency:</b>	11 GHz
<b>Genders:</b>	Female/Male
<b>Ohm:</b>	50
<b>Product Type:</b>	Adapter
<b>RoHS Compliant:</b>	Yes

20070523-1523



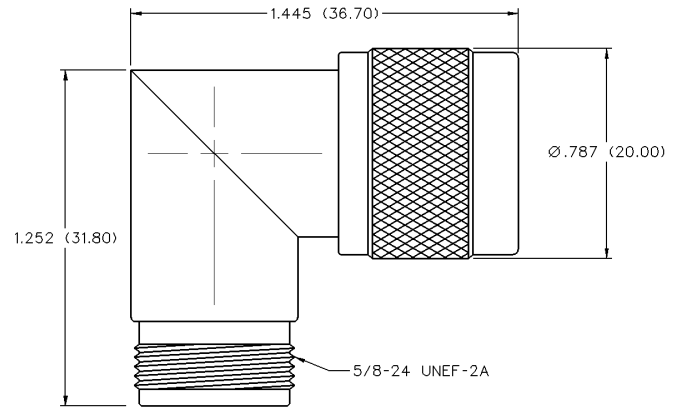
**CAMBRIDGE  
PRODUCTS**

INCHES (MILLIMETERS)  
CUSTOMER DRAWINGS AVAILABLE UPON REQUEST

## Type N Right Angle Jack to Plug Adapter



CP-AD803



# N Connectors

## Specifications



INCHES (MILLIMETERS)  
CUSTOMER DRAWINGS AVAILABLE UPON REQUEST

The N connector employs a large diameter threaded interface for excellent strength and reliability. This commercial quality connector handles high power applications such as antenna feeds for radios and cell sites. Termination options include crimp and clamp styles for rugged service.

### **Electrical Characteristics**

Impedance: 50 Ohm nominal

Frequency range: 0-11 GHz

Working voltage: 500 volts RMS at sea level

Dielectric withstanding voltage: 1500 volts RMS at sea level

Corona level: 375 volts minimum at 70,000 feet

Contact resistance: Outer - 0.2 milliohms maximum

Center - 2.1 milliohms maximum

Insulation resistance: 5000 megohms minimum

### **Environmental Characteristics**

Recommended temperature range: -65°C to +165°C

Moisture Resistance: MIL-STD-202

### **Mechanical Characteristics**

Durability: 500 cycles

Cable retention: 20 lbs., RG-58 C/U cable

### **Materials**

Body and coupling nut: Brass

Contact: Brass, phosphor bronze or beryllium copper

Crimp sleeve: Brass

Insulator: Teflon® or Delrin®

Hardware: Brass

Plating: Body - Nickel

Crimp sleeve - Nickel

Hardware - Nickel

Contact - Gold

\* These are typical and may not apply to all connectors.